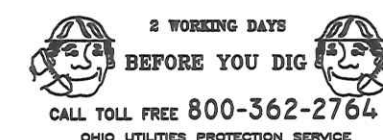
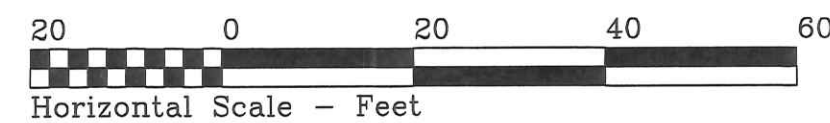


LOCATION MAP

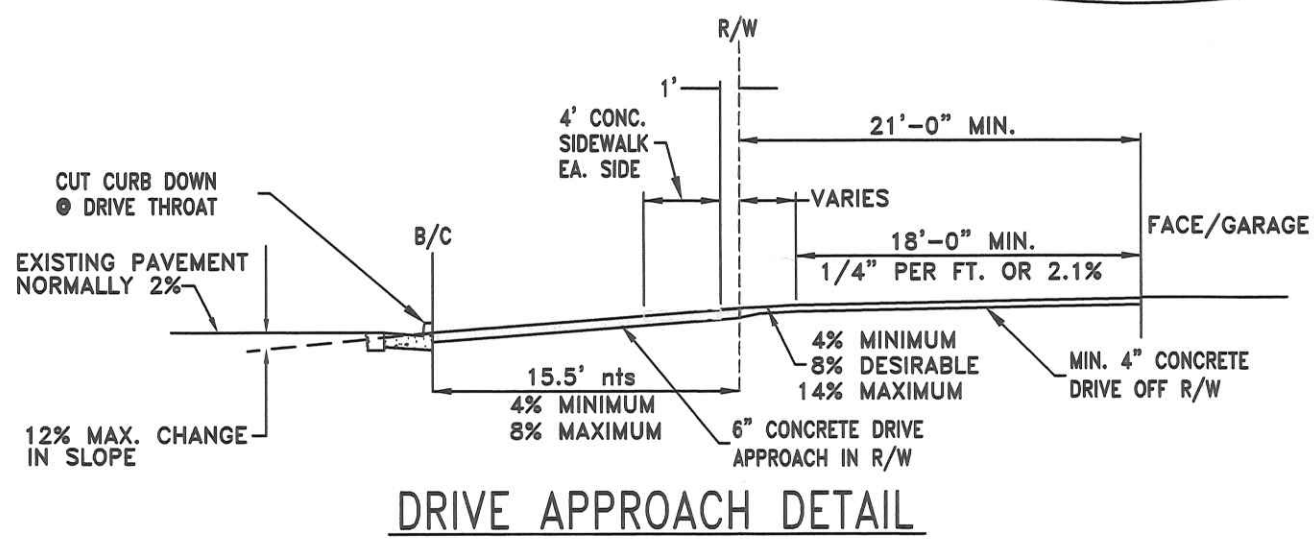


OHIO UTILITIES PROTECTION SERVICE
 The underground utilities shown hereon are only approximate. Some of the utilities were located by field observation, where possible, and the remaining utilities were derived from various records. Exact locations must be determined by the UTILITY COMPANIES. For exact locations, telephone the Ohio Utilities Protection Service (O.U.P.S.) toll free at 1-800-362-2764. (Telephone 2 working days before any digging.)



*Lot 9.50
Finish Floor*

*Old School Dr
Front Set Back Reduced
to 20' As Per PC-18-02*



SITE LOCATION PLAN
 FOR
 LOTS NO. 25 & 26
 WESTVIEW VILLAS SUBDIVISION
 CITY OF NAPOLEON, NAPOLEON TOWNSHIP,
 HENRY COUNTY, OHIO

	BECK CONSTRUCTION CO	
	SCOTT STREET 419/592-8307	NAPOLEON, OHIO
DIRECTORY:C:\ND\BECKCONST\	FILE NAME:WESTSCHOOL\LOT 25_26	DRAWN BY: R.D.S.
SITE PLAN FOR DUPLEX TOWNHOUSE		REVIS
870 & 860 OLD SCHOOL DRIVE		SCALE: 1"=20'
		DATE: DEC. 2018
		DRAWING NUMBER: S - 1